

# READ THIS FIRST

VENTILATOR USER GUIDE

MODEL V16-BL-WH





### **PERSONAL RESPONSIBILITY CODE**

The member companies of FEMSA that provide emergency response equipment and services want responders to know and understand the following:

1. Firefighting and Emergency Response are inherently dangerous activities requiring proper training in their hazards and the use of extreme caution at all times.
2. It is your responsibility to read and understand any user's instructions, including purpose and limitations, provided with any piece of equipment you may be called upon to use.
3. It is your responsibility to know that you have been properly trained in Firefighting and/or Emergency Response and in the use, precautions, and care of any equipment you may be called upon to use.
4. It is your responsibility to be in proper physical condition and to maintain the personal skill level required to operate any equipment you may be called upon to use.
5. It is your responsibility to know that your equipment is in operable condition and has been maintained in accordance with the manufacturer's instructions.
6. Failure to follow these guidelines may result in death, burns or other severe injury.




Fire and Emergency Manufacturers and Services Association, Inc.  
P.O. Box 147, Lynnfield, MA 01940 [www.FEMSA.org](http://www.FEMSA.org)

Copyright 2006 FEMSA. All Rights Reserved

## USER GUIDE

This manual covers the description, cautions, operation, and maintenance of the Super Vac V16-BL-WH.

 **WARNING** Read this manual before operating the ventilator.

Save this guide for future reference.

## CONTENTS

1.	BREAKAGE OR DAMAGE DURING SHIPMENT .....	2
2.	GENERAL DESCRIPTION AND SPECIFICATIONS.....	3
3.	PRODUCT SAFETY PRECAUTIONS .....	3
4.	BEFORE OPERATING VENTILATOR .....	4
5.	OPERATION .....	5
6.	CHARGING THE BATTERY PACKS.....	6
7.	MAINTENANCE AND REPAIR.....	6
8.	WARRANTY.....	7
9.	CONTACT INFORMATION.....	8
10.	PARTS AND EXPLODED VIEWS .....	9-13
	FAN PARTS LIST.....	10
	FAN EXPLODED VIEW .....	11
	FRAME PARTS LIST .....	12
	FRAME EXPLODED VIEW.....	13

## **1. Breakage or Damage During Shipment**

The transportation company is fully responsible for all shipping damage and will resolve problems promptly if you handle it correctly. Please read these instructions carefully.

Examine the contents of all shipping cases. If you find any damage, call your transportation agent at once and have them make a description on the freight or express bill describing the damage and the number of pieces. Then write us and we will send you the original bill of lading. Get a claim blank from the express or truck company. Fill the claim form out. Attach the claim blank to the original bill of lading together with a copy of our invoice. Attach a memo on which you show the value of the damaged goods. Mail or hand these papers to your local transportation agent. They will process your claim with reasonable promptness.

Please note, we cannot and will not enter claims for damages. If we filed claim here, it would be sent to your local freight agent for verification and investigation. This time can be saved by your filing the claim directly. Every consignee is on the ground floor and in contact with the local agent who inspects the damaged goods, and thus, each claim can be given individual attention.

Since our goods are packed to comply with the regulations of all railroad, truck, and express companies, we cannot allow deduction from any invoice because of any damage, however, be sure to file your claim promptly. Our goods are sold F.O.B. factory. We take receipt from the transportation company certifying that the goods were delivered to them in good order, and our responsibility ceases.

It is seldom that any breakage or damage occurs in any of our shipments, and in no case will the customer be out any expense if they follow the above instructions.

Be sure to keep all damaged goods subject to examination of the truck or express company inspector, who may call on you some time later. These damaged goods, of course, will belong to them, and they will inform you what to do with them. If you dispose of these damaged goods, your claim may not be paid.

## 2. General Description and Specifications

Super Vac ventilators are specifically designed to provide a convenient and portable source of air. Super Vac positive pressure ventilators are tested to AMCA Standard 240-22, for use in extreme conditions.

Model #	RPM	Motor	HxWxD	Weight
V16-BL-WH	2,216	1 HP Variable Speed DC	24.25" x23.75" x 12.25"	53 lbs

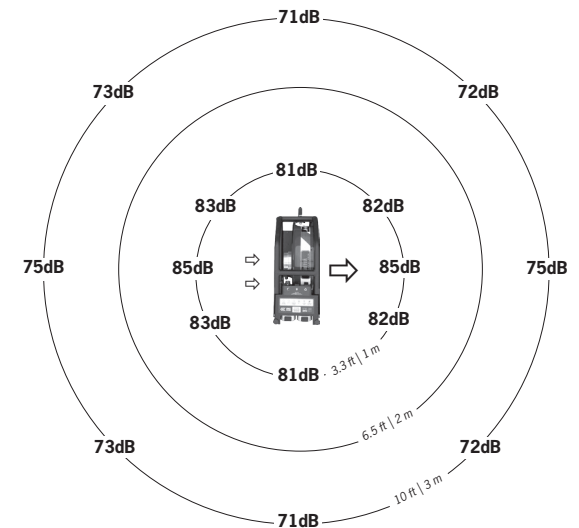
Specifications are subject to change without notification. Refer to model decal affixed to ventilator to determine actual specifications.

This ventilator is designed for high powered air movement. Each blade is dynamically balanced for high efficiency and long life.

## 3. Product Safety Precautions

- Do not use the ventilator for purposes other than its' intended use.
- Wear eye and ear protection when operating the ventilator.
- Never operate ventilator while fatigued.
- Do not disassemble or modify the ventilator in any way. Doing so may lead to mechanical failure or personal injury.
- Do not wear loose clothing that could become entangled in the operating ventilator.
- Never permit anyone to operate ventilator without proper instruction.
- Do not operate ventilator without proper inlet or outlet guards in place. If guards are missing or damaged, contact factory for replacements.
- Do not place fingers or other foreign objects through inlet or outlet guards. Should a foreign object enter the ventilator, immediately stop motor. Be certain all mechanical motion has stopped. Do not use with any power voltage other than the indicated voltage.
- Never handle energized power cords with wet hands.
- Do not place or operate ventilator on unsteady tables, slanted surfaces or other unstable surfaces. Never use this ventilator in any explosive environment.
- Never let extension cords or plug connections lay in water. Locate the ventilator so that it cannot fall into water inadvertently.
- Never store or carry the battery pack so that metal objects can contact exposed battery terminals. Transporting batteries can possibly cause fires if the battery terminals contact loose nails, screws, keys, hand tools and the like.

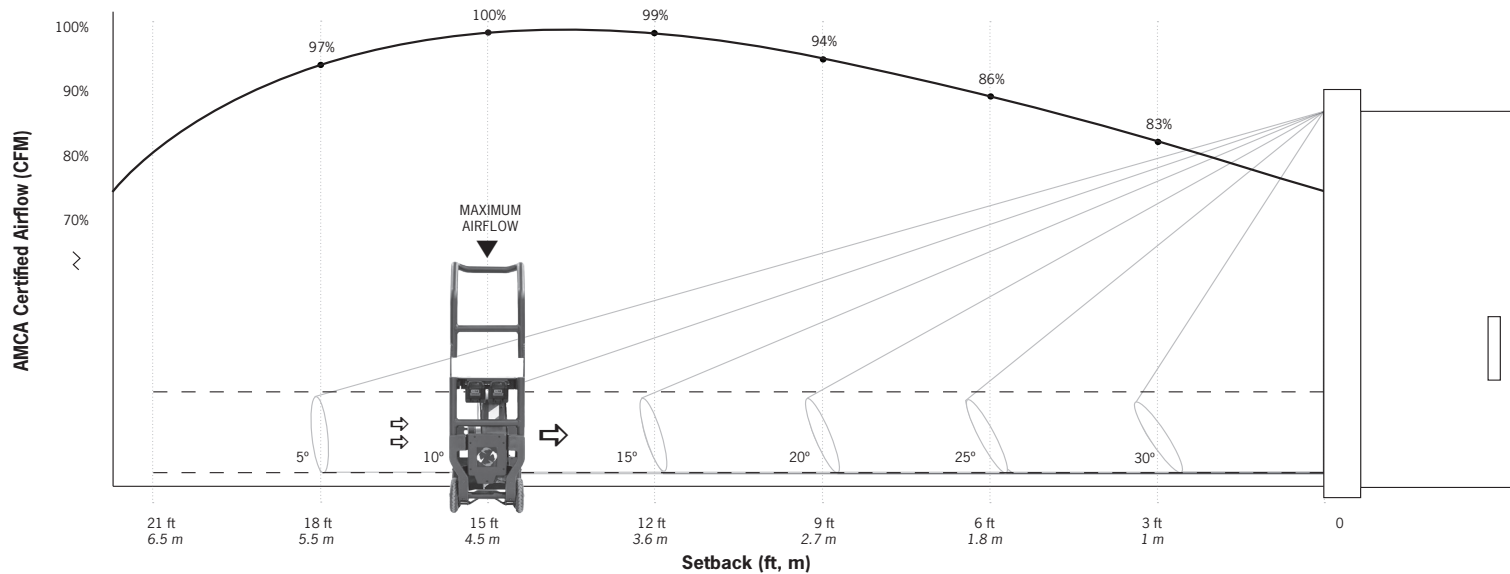
## Sound Level



#### 4. Before Operating Ventilator

- This ventilator has been designed to work best with either the Milwaukee M18 REDLITHIUM High Output XC8.0Ah or HD12.0 batteries.
- This ventilator will work with any M18 battery from the Milwaukee brand.
- ⚠ **CAUTION** • A complete inspection of the ventilator should be made prior to operation.
  - Check all threaded fasteners for proper tightness.
  - Check ventilator inlet and outlet guards for obstructions. Check and remove from immediate surrounding area any objects that could be drawn into the ventilator intake.
  - Replace damaged or missing guards before operating ventilator.
- ⚠ **CAUTION** • If using shore or mains power:
  - Never use power cords with frayed, cut, or brittle insulation.
  - Inspect power cord plug for proper connections to the ground fault interrupter circuit.

#### Airflow VS Setback

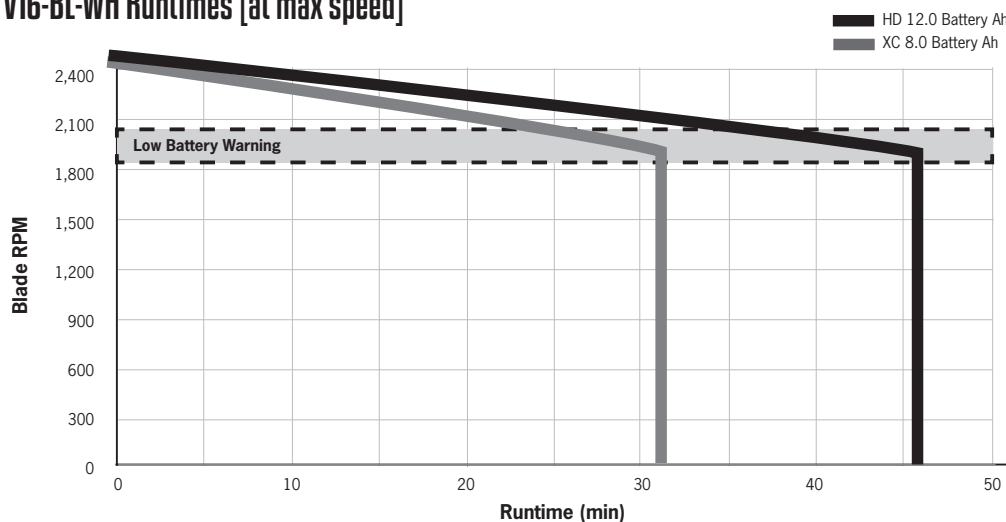


The Air Movement and Control Association International Inc. (AMCA) is a not-for-profit international association of the world's leading manufacturers of air system equipment. Super Vac ventilators have been tested through this third-party organization for more than 30 years in order to provide our customers confidence that our airflow values are correctly measured and advertised. In order to view all AMCA Certified Products according to ANSI/AMCA Standard 240-22, follow this link [amca.org/certified-listed/license-type.html?c=1230&g=10008#positive-pressure-ventilator](https://amca.org/certified-listed/license-type.html?c=1230&g=10008#positive-pressure-ventilator). For more info on AMCA 240-22 visit [supervac.com/amca-certified-fans](https://supervac.com/amca-certified-fans).

## 5. Operation

- **⚠️ WARNING** Use caution not to direct toxic fumes into confined spaces with the ventilator.
- Insert a Milwaukee M18 battery until it clicks. Only a single battery is necessary for operation.
- Battery removal will get easier with more remove/replace cycles. The Battery Adapter & M18 Battery interface is required by Milwaukee.
- Fan will need to be reset (turned off & on) if a new battery is inserted.
  - If fan is not reset, then the fan will not recognize the new battery and run until previous battery is empty.
- If using shore (mains) power, use an extension cord to connect to 110 – 240V AC.
- Press and hold power button until blue backlight indicates powering up.
- When the fan is on, it will need to run at the minimum speed allowed by Milwaukee. (This feature is to protect the batteries from small parasitic draws)
- Turn speed control clockwise until desired speed is reached.
- Power button will indicate approximate power left. (It is normal for colors to flicker back and forth if 2 batteries are being used)
  - Green: 50 - 100%
  - Yellow: 20 - 50%
  - Red: 0 - 20% (Low Battery Warning: Front Facing LED will also flash if turned on)
- To turn off, press and hold power button until blue backlight shows.

**V16-BL-WH Runtimes [at max speed]**



■ (2) x12 Ah    ■ (2) x8.0 Ah

\*Runtimes dependent on air density, and battery condition. Test data shown taken at 5000ft elevation, 25% RH, 70°F with new batteries.

\*Air density is primarily affected by elevation, humidity and temperature.

\*At temperatures below freezing expect battery life to decrease.

\*Other M18 Batteries will operate the fan, but at reduced runtimes.

## 6. Charging the Battery Packs

- Remove Milwaukee batteries from fan.
- **CAUTION** Insert in Milwaukee Charger. Use only Milwaukee brand battery chargers.
- When the battery pack temperature is outside the charging range (40-105°F or 5-40°C), the red light on the charger will flash and the battery will not charge.
- Once the battery pack is within the acceptable temperature range, normal charging will take place.
- Using the Milwaukee SuperCharger™, a 12 Amp hour battery will recharge in 60 minutes and an 8 Amp hour battery will recharge in 45 minutes.
- Other Milwaukee chargers, including units that work with vehicle DC power, may take longer to fully charge the batteries.

## 7. Maintenance and Repair

**CAUTION** Maintenance should only be performed by experienced and trained personnel. If you have any questions please contact Super Vac before attempting any maintenance at [www.supervac.com](http://www.supervac.com) or 1-800-525-5224.

**WARNING** Be sure the ventilator is disconnected from the power source and both batteries have been removed before performing any maintenance or repair. The motor is of heavy duty ball bearing construction. The unit is completely sealed and requires no lubrication for the life of the motor.

**CAUTION** The ventilator blade should be specially checked for build-up of material or dirt which may cause an imbalance. Excessive imbalance can lead to accelerated wear on motor bearings and vibration. Remove front ventilator guard. Clean blade and inside housing with mild detergent and water. Do not use abrasives, sharp instruments or caustic solvents that may scratch or damage the fan blade.

### **CAUTION**

- Do not store battery packs or chargers above 120°F (50°C) or in direct sunlight.
- Never use/store chargers or batteries in explosive atmospheres.
- Never attempt to open the battery pack. If cracked or damaged, return it to a service center for recycling.
- Do not splash or immerse charger in water or other liquids.



## 8. Warranty

Milwaukee products carry a separate 3-year limited warranty for the compatible battery packs, chargers and ODM battery adapter. For more information contact them at [www.milwaukeetool.com](http://www.milwaukeetool.com) or 1-800-729-3878.

Super Vacuum Manufacturing Company warrants that the equipment is free from defects in materials and workmanship when used and operated for a period of five years, excluding the motor which has a 3-year warranty. The responsibility of Super Vacuum Manufacturing Company under this limited warranty is limited to the repair and replacement of any parts which are found defective and which are returned to Super Vacuum Manufacturing Company at 3842 Redman Dr, Fort Collins, CO 80524 with transportation charges prepaid (C.O.D. shipments will not be accepted).

Prior to returning defective parts to SUPER VACUUM MANUFACTURING COMPANY, the original purchaser shall make a claim in writing to SUPER VACUUM MANUFACTURING COMPANY at the above address indicating the model number and type of defect. No parts or equipment will be received by SUPER VACUUM MANUFACTURING COMPANY for repair or replacement under this warranty without specific written authority from it in advance.

Any parts damaged by improper installation, overloading, abuse or accident of any type or cause are not covered by this warranty. All equipment manufactured by us is pre-run and tested before leaving our plant and is shipped in good working order and condition. We therefore extend to the original purchasers the following Limited Warranty for the period of five years from the original date of purchase:

1. This warranty does not apply to defects caused by accident, misuse, neglect, or wear and tear, nor can we be held responsible for incidental and consequential expense and loss, nor does this warranty apply to equipment where alterations have been executed without our knowledge or consent. These conditions are readily discernible when the equipment is returned to us for inspection.
2. On all component parts not manufactured by SUPER VACUUM MANUFACTURING COMPANY, their warranty is to the extent that the manufacturer of such component warrants them to SUPER VACUUM MANUFACTURING COMPANY, if at all. Look in your local business phone directory for the nearest repair station for the brand of parts you have or write to us for the address.
3. If equipment received is found to have been damaged in transit, a claim should be made against the carrier within three days, as we assume no responsibility for such damage.
4. Any service other than our Authorized Service voids this warranty.
5. This warranty is in lieu of and is intended to exclude all other warranties, express or implied, oral or written, including any warranties of MERCHANTABILITY or FITNESS for a particular purpose.

## 9. Contact Information



For parts or service information, contact:

Super Vacuum Manufacturing Company, Inc.

3842 Redman Dr.  
Fort Collins, CO 80524

Phone: 800-525-5224  
970-297-7100

Fax: 970-297-7099

Email : info@supervac.com  
Internet: www.supervac.com

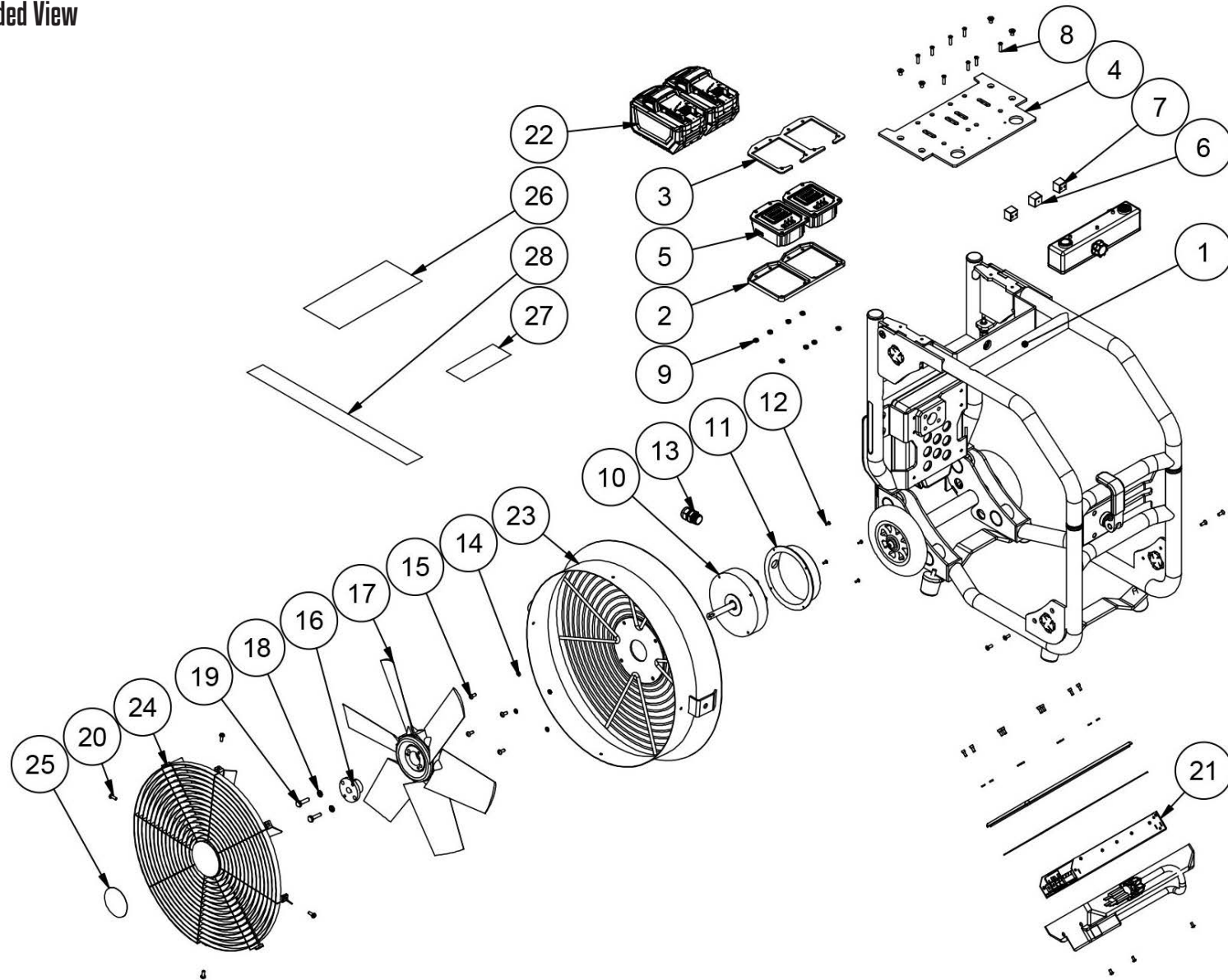
10. Parts and Exploded Views

# PARTS AND EXPLODED VIEWS

Fan Parts List

ITEM	QTY	PART NUMBER	DESCRIPTION
1	1	V16-BX	V16-BX, ASSY
2	1	019-20287	MILWAUKEE BATTERY MOUNT LOWER
3	1	019-20288	MILWAUKEE BATTERY MOUNT SPACER
4	1	019-20510	PLATE, TOP, VXX-BX
5	2	005-16103	ADAPTER, MILWAUKEE, ODM, V1X-BX
6	1	005-18011	SEAL, CONTA-CLIP - 2MM
7	2	005-18013	SEAL, CONTA-CLIP- 2x5MM
8	8	032-21753	SCREW, 8-32 UNC X 3/4 in, PFMS, SS, BLACK
9	8	032-22242	NUT, 8-32 UNC, HEX, S, ZINC
10	1	021-10525	MOTOR,1 HP TEAO, 24VDC, V1X-BX
11	1	021-10524	COVER, MOTOR, V1X-BX
12	4	032-26341	SCREW, M3X0.5 ANSI M, 8mm, PPMS, SS, BLACK, PATCH
13	1	065-12852	STRAIN RELIEF,DOMED,SCR .24-.47,1/2 NPT,BLACK
14	4	032-22978	WASHER, 10-24, SPLIT LOCK, S, ZINC
15	4	032-28445	SCREW, M5X0.8 ANSI M, 12mm, BHCS, SS, BLACK
16	1	005-14166	BUSHING, MARTIN, G, 12MM BORE, VXX-BX
17	1	003-15330	BLADE, PLASTIC, 30DEG, V16-BX
18	2	032-24440	WASHER, 1/4-20, SPLIT LOCK, S, ZINC
19	2	032-24339	SCREW, 1/4-20 UNC X 1 in, HHCS, SS
20	4	032-22414	SCREW, 10-24 UNC X 1/2 in, PPMS, SS, BLACK, PATCH
21	1	005-15355	POWER SUPPLY, 750W, 24V, V1X-BX
22	2	005-16100	BATTERY, MILWAUKEE, 12AH, V1X-BX
23	1	019-20105	SHROUD, WELDMENT, V16-BX
24	1	012-15392	STREAMSHAPER GUARD FOR 16" PPV FAN
25	1	025-16020	DECAL, SHROUD, CENTER, V1X-BX
26	1	025-16090	DECAL, MODEL TOP, V16-BL-WH
27	1	025-16091	DECAL, SERIAL NUMBER, V16-BL-WH
28	1	025-16030	DECAL, SHROUD, CHEVRON, V16-BX

Fan Exploded View

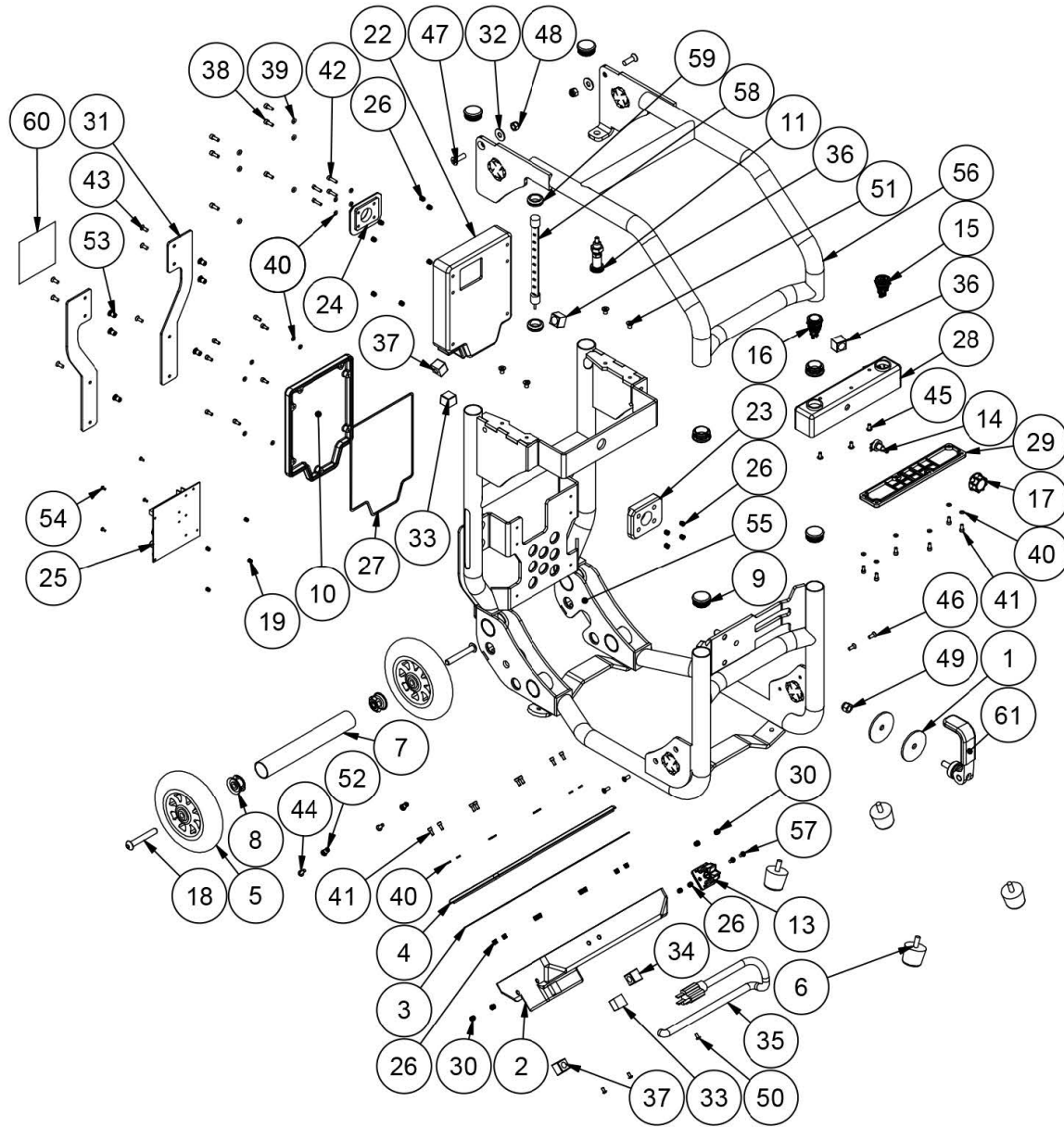


Frame Parts List

ITEM	QTY	PART NUMBER	DESCRIPTION
1	2	005-10270	WASHER, RUBBER, ROTATION, V1X-BX
2	1	005-18005	BOX POWER SUPPLY, VXX-BX
3	1	005-18020	BOX POWER SUPPLY GASKET, V20-BX
4	1	005-18006	BOX POWER SUPPLY COVER, V20-BX
5	2	008-13804	WHEEL, V1X-BX, 6 INCH
6	4	024-13473	FEET RUBBER CONE SHAPE VBM-4002
7	1	019-20509	TUBE WHEEL SPACER, V20-BX
8	2	012-14196	INSERT, 3/8-16, TUBE, V1X-BX AXLE MOUNT
9	6	005-10256	PLUG, 1.25, TUBE END ROUND, VALOR
10	1	005-18002	BOX CONTROLLER COVER, VXX-BX
11	1	005-10255	T-HANDLE, PLUNGER, VALOR
13	1	008-14131	PLASTIC, PAC CORD CLAMP
14	1	005-10268	VALOR, POTENTIOMETER, VXX-BX
15	1	005-13562	SWITCH, MOMENTARY, RGB, V1X-BX
16	1	005-13564	SWITCH, LATCHING, V1X-BX
17	1	005-10267	KNOB, POTENTIOMETER, V1X-BX
18	2	STD HARDWARE-BHSH-713	STD HARDWARE-BHSH-713, 3/8-16x2-1/2, S
19	4	032-10140	INSERT, BRASS HEAT SET, 4/40
22	1	005-18001	BOX CONTROLLER, VXX-BX
23	1	005-18050	PLASTIC SLEEVE MOUNT, V16-BX
24	1	005-18053	PLASTIC, SLEEVE LOCK, VXX-BX
25	1	021-10514	CONTROLLER, HG, 18V / 36V DC MOTOR
26	27	032-10142	INSERT, BRASS HEAT SET, 8/32
27	1	005-18021	BOX CONTROLLER GASKET, VXX-BX
28	1	005-18003	BOX TOP ELECTRIC, VXX-BX
29	1	005-18004	BOX TOP ELECTRIC COVER, VXX-BX
30	4	032-10143	INSERT, BRASS HEAT SET, 10/24
31	2	019-20455	PLASTIC STAIR SKID, V16X-BX
32	2	032-10120	WASHER, PLASTIC, 5/16

ITEM	QTY	PART NUMBER	DESCRIPTION
33	2	005-18010	SEAL, CONTA-CLIP- BLANK
34	1	005-18014	SEAL, CONTA-CLIP - 10MM
35	1	005-10180	CORD, POWER SUPPLY, 120VAC, 24 IN.
36	2	005-18015	SEAL, CONTA-CLIP - 13-14 mm
37	2	005-18017	SEAL, CONTA-CLIP - 9-10 mm
38	6	032-22618	SCREW, 10-24 UNC X 1/2 in, SHCS, SS, BLACK
39	6	032-22980	O-RING, 10-24 UNC, HARDWARE BUNA
40	25	032-22249	O-RING, 8-32 UNC, HARDWARE BUNA
41	21	032-21886	SCREW, 8-32 UNC X 3/8 in, SHCS, SS, BLACK
42	4	032-21888	SCREW, 8-32 UNC X 5/8 in, SHCS, SS, BLACK
43	6	032-22482	SCREW, 10-24 UNC X 1/2 in, PFMS, SS, BLACK
44	2	032-22414	SCREW, 10-24 UNC X 1/2 in, PPMS, SS, BLACK, PATCH
45	3	032-22821	SCREW, 10-24 UNC X 3/8 in, BHCS, SS, BLACK, PATCH
46	4	032-22550	SCREW, 10-24 UNC X 1/2 in, PFMS, SS, BLACK, PATCH
47	2	032-24486	SCREW, 5/16-18 UNC X 1 in, PFMS, SS, BLACK
48	2	032-10789	NUT,NYLOCK, 5/16-18 UNC,SS
49	1	034-11073	NUT,NYLOCK, 3/8-16 UNC,SS
50	3	032-27672	SCREW, M4X0.7 ANSI M, 8mm, BHCS, SS, BLACK, PATCH
51	4	032-24011	SCREW, 1/4-20 UNC X 3/8 in, PFMS, SS, BLACK, PATCH
52	2	032-22982	NUT, 10-24 UNC, INSERT, .13-.225 GRIP RANGE
53	6	032-10880	NUTSERT, 10-24, .02-.13 GRIP RANGE
54	4	032-20134	SCREW, 4-40 UNC X 1/4 in, PPMS, SS
55	1	019-20499	FRAME WLDMENT, V16X-BX
56	1	019-20462	WLDMNT HANDLE, V16X-BL
57	2	032-21682	SCREW, 8-32 UNC X 3/8 in, PPMS, SS, BLACK, PATCH
58	1	005-13563	LIGHT, LED, V1X-BX
59	2	005-10271	GROMMET,PUSH-IN,0.75 ID,1.125 OD,0.0938 GROOVE
60	1	025-16032	DECAL, SV LOGO, SIDE, VXX-FX
61	1	019-20551	HANDLE, CAM LOCK ASSY, VXX-BX

Frame Exploded View



V16-BX-WH