

# READ THIS FIRST

VENTILATOR USER GUIDE MODEL AF124i



# **DANGER**

## **PERSONAL RESPONSIBILITY CODE**

The member companies of FEMSA that provide emergency response equipment and services want responders to know and understand the following:

1. Firefighting and Emergency Response are inherently dangerous activities requiring proper training in their hazards and the use of extreme caution at all times.
2. It is your responsibility to read and understand any user's instructions, including purpose and limitations, provided with any piece of equipment you may be called upon to use.
3. It is your responsibility to know that you have been properly trained in Firefighting and/or Emergency Response and in the use, precautions, and care of any equipment you may be called upon to use.
4. It is your responsibility to be in proper physical condition and to maintain the personal skill level required to operate any equipment you may be called upon to use.
5. It is your responsibility to know that your equipment is in operable condition and has been maintained in accordance with the manufacturer's instructions.
6. Failure to follow these guidelines may result in death, burns or other severe injury.



Fire and Emergency Manufacturers and Services Association, Inc.  
P.O. Box 147, Lynnfield, MA 01940 [www.FEMSA.org](http://www.FEMSA.org)

Copyright 2006 FEMSA. All Rights Reserved

---

This manual covers the description, cautions, operation and maintenance of the *Super Vac* Pneumatic Ventilator  
Model AF124i

 **Read this manual before operating the ventilator.**  
**Save this guide for future reference.**

## CONTENTS

1. Breakage or Damage During Shipment.....	4
2. General Description and Specifications .....	5
3. Product Safety Precautions .....	6
4. Before Operating Ventilator.....	6
5. Operation .....	7
6. Maintenance and Repair .....	7
7. Parts List .....	8
8. Exploded View Drawing .....	9
9. Warranty .....	10
10. Contact Information .....	11

---

## 1. Breakage or Damage During Shipment

The transportation company is fully responsible for all shipping damage and will resolve problems promptly if you handle it correctly. Please read these instructions carefully.

Examine the contents of all shipping cases. If you find any damage, call your transportation agent at once and have them make a description on the freight or express bill describing the damage and the number of pieces. Then write us and we will send you the original bill of lading. Get a claim blank from the express or truck company. Fill the claim form out. Attach the claim blank to the original bill of lading together with a copy of our invoice. Attach a memo on which you show the value of the damaged goods. Mail or hand these papers to your local transportation agent. They will process your claim with reasonable promptness.

Please note, we cannot and will not enter claims for damages. If we filed claim here, it would be sent to your local freight agent for verification and investigation. This time can be saved by your filing the claim directly. Every consignee is on the ground floor and in contact with the local agent who inspects the damaged goods, and thus, each claim can be given individual attention.

Since our goods are packed to comply with the regulations of all railroad, truck, and express companies, we cannot allow deduction from any invoice because of any damage, however, be sure to file your claim promptly. Our goods are sold F.O.B. factory. We take receipt from the transportation company certifying that the goods were delivered to them in good order, and our responsibility ceases.

It is seldom that any breakage or damage occurs in any of our shipments, and in no case will the customer be out any expense if they follow the above instructions.

Be sure to keep all damaged goods subject to examination of the truck or express company inspector, who may call on you some time later. These damaged goods, of course, will belong to them, and they will inform you what to do with them. If you dispose of these damaged goods, your claim may not be paid.

---

## 2. General Description and Specifications

**Super Vac** ventilators are specifically designed to provide a convenient and portable source of fresh air. Specifications<sup>1</sup>

Model#	HP	RPM	Motor	Height x Width x Depth	Weight (lbs.)
AF124i	0.93	2000	AIR	22" x 15" x 13"	39

<sup>1</sup> Specifications are subject to change without notification. Refer to model decal affixed to ventilator to determine actual specifications.

This ventilator is designed for high powered air movement. **Super Vac**'s patented propeller produces a greater intake of air and eliminates turbulence at the tips. The high velocity screw action sweeps air back over the motor, enabling it to run cooler. The patented 4-Blade propeller is cast from aluminum alloy. Each blade is dynamically balanced for high efficiency and long life.

All **Super Vac** ventilators are designed to accept optional spiral duct and adapters. Placing adapter and ducts on the output side provides positive pressure ventilation. Place adapter and duct on the input side for negative pressure ventilation.

The square housing design gives the unit added strength and stability. Handles on each corner makes the ventilator easy to hang on windows, doorways or ladders.

---

### 3. Product Safety Precautions

- Do not use the ventilator for purposes other than its' intended use.
- Wear eye and ear protection when operating the ventilator.
- Never operate ventilator while fatigued.
- Do not disassemble or modify the ventilator in any way. Doing so may lead to mechanical failure or personal injury.
- Do not wear loose clothing that could become entangled in the operating ventilator.
- Do not operate ventilator without proper inlet or outlet guards in place. If guards are missing or damaged, contact factory for replacements.
- Do not place fingers or other foreign objects through inlet or outlet guards. Should a foreign object enter the ventilator, immediately disconnect power source. Be certain all mechanical motion has stopped before removing foreign object.
- Air motor is designed to be driven by compressed air and under no circumstances is to be driven with any other gases.
- Always disconnect air supply before servicing.
- Do not exceed the maximum operating air pressure of 100 PSI.
- Do not place or operate ventilator on unsteady tables, slanted surfaces or other unstable surfaces.
- Operating temperature under normal conditions up to 250°F (121°C). While in hazardous locations, operating temperature up to 104°F (40°C).

### 4. Before Operating Ventilator

- Always operate this ventilator from a proper compressed air source. Never use combustible gases to power the motor.
- A complete inspection of the ventilator should be made prior to operation.
- Check all threaded fasteners for proper tightness.
- Drain any accumulated moisture from the air filter.
- Check automatic lubricator oil level. Replenish oil as necessary.
- Inspect inlet and outlet guards for damage or missing pieces. Replace damaged or missing guards before operating ventilator.

---

## 5. Operation **⚠ CAUTION**

Check ventilator inlet and outlet guards for obstructions. Check and remove from immediate surrounding area any objects that could be drawn into the ventilator intake.

Place ventilator in desired location before connecting to air supply.

**⚠ WARNING** Extend and place any flexible duct as required. Use caution not to direct toxic fumes into confined spaces with the ventilator. Please refer to the **Super Vac Training Manual for Smoke Ventilation** for comprehensive instruction on effective ventilation practices.

Connect air supply line to ventilator. Turn ball valve lever to the open position to begin ventilation. Adjust blade speed with air regulator.

To stop ventilation, move ball valve lever to closed position, disconnect air supply line.

## 6. Maintenance and Repair

Maintenance should only be performed by experienced and trained personnel.

Be sure the ventilator is disconnected from the air supply source before performing any maintenance or repair.

The motor requires lubrication within the air supply at the rate of 1 drop of oil for every 50 CFM of air going through. Lubrication is necessary for all internal moving parts and rust prevention.

Drain any accumulated moisture from the air filter at regular intervals.

The ventilator blade should be specially checked for build-up of material or dirt which may cause an imbalance. Excessive imbalance can lead to accelerated wear on motor bearings and vibration. Remove ventilator guards. Clean blade and inside housing with mild detergent and water. Do not use abrasives, sharp instruments or caustic solvents that may scratch or damage the aluminum alloy blade.

Intake and exhaust guards are not interchangeable. When replacing guards after cleaning, position them with the rings to the outside with the row of spot welds holding the rings on the bottom.

## 7. Parts List

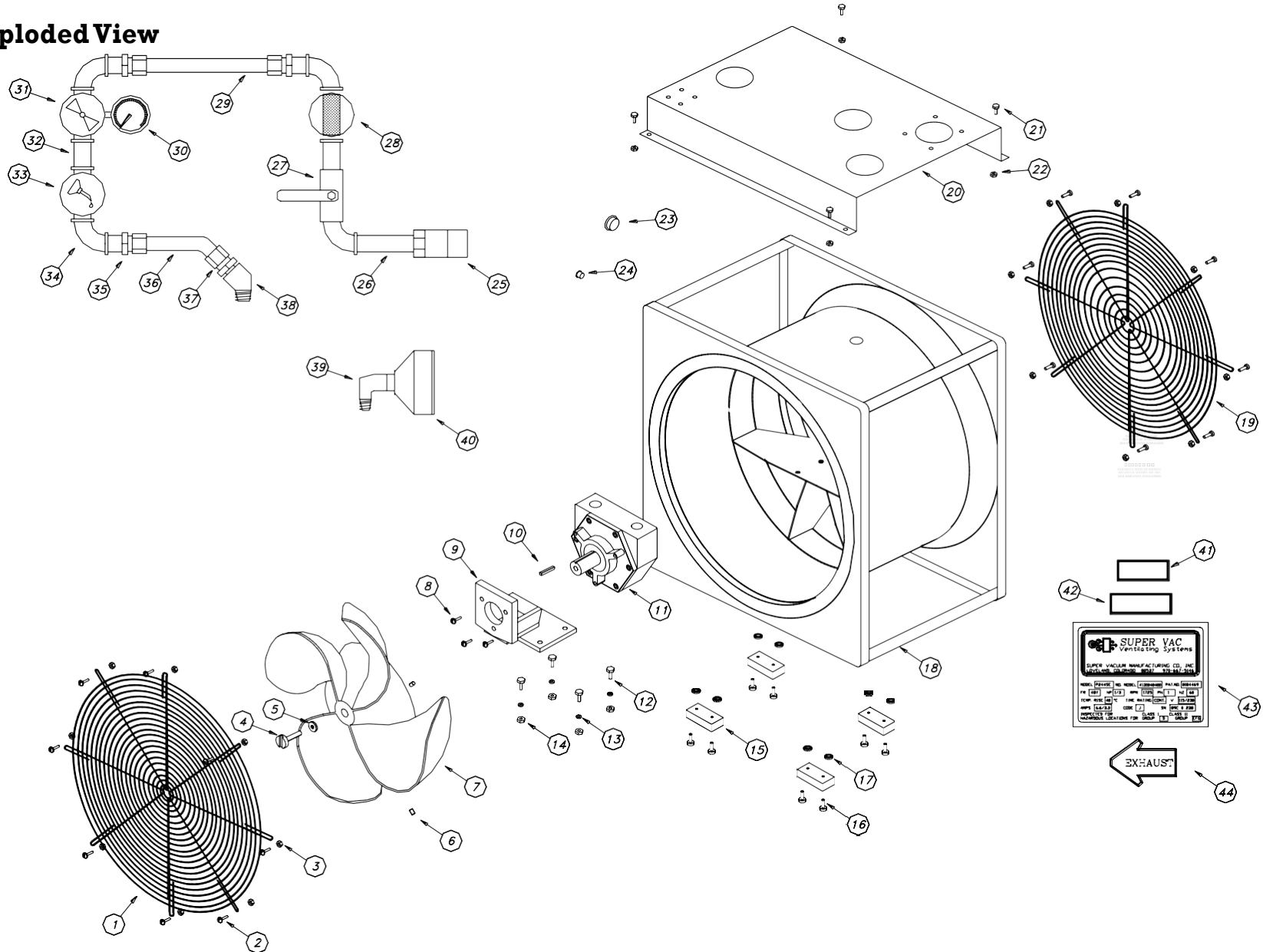
MODEL	HP	RPM
AF124i	0.93	2000

1	012-13842	1	GUARD 16" STD. FRONT
2	032-10711	8	10-24 X 1/2" PHIL PH MS ZINC
3	032-10713	8	10-24 NYLOK SELF LOCK NUT ZINC
4	032-10759	1	1/4 - 20 LEFT HAND SCREW ZINC
5	032-10755	1	1/4" FENDER WASHER ZINC
6	032-10761	2	5/16 - 18 x 1/2" ALLEN SET SCREW
7	003-10041	1	BLADE 16" FOUR BLADE TENZALOY
8	034-11010	3	1/4-20 X 1/2" SOCKET CS SS
9		1	MOTOR MOUNT AF124i
10	008-10193	1	MOTOR SHAFT KEY 3/16" X 1"
11	009-10222	1	AIR MOTOR #4Z231 16" PNEU. FAN
12	032-10769	4	5/16-18 X 1" HEX CS USS ZINC
13	032-10786	4	5/16 FLAT WASHER ZINC
14	032-10790	4	5/16-18 NYLOK HEX NUT ZINC
15	024-10527	4	FEET #1409-W RECTANGULAR
16	032-10698	8	8-32 X 1/2" PHIL PH MS ZINC
17	032-10695	8	8-32 HEX NUT ZINC
18	018-10381	1	HOUSING 16" STEEL - PAINTED
19	012-13843	1	GUARD 16" STD. REAR
20			BONNET AF124i
21	032-10725	4	1/4-20 X 5/8" PHIL RH MS ZINC
22	032-10750	4	1/4-20 NYLOK HEX NUT ZINC
23	056-12384	1	PLUG 1/2" MP-500
24	056-12386	1	PLUG 7/8" DP-875
25	009-10228	1	CLAW COUPLING #AM-8
26	044-11807	1	3/4" X 5" NIPPLE
27	009-11892	1	VALVE PARKER 3/4 inch #V500P-12 BALL
28	009-10225	1	FILTER AIR #6ZC32

29	009-11747	1	BRAKE LINE 5/8" X 15"
30	009-10226	1	GUAGE AIR #4X513 BOTTOM STEM
31	009-10223	1	REGULATOR AIR #6ZC31
32	044-11797	2	3/4" CLOSE NIPPLE
33	009-10224	1	LUBRICATOR AIR #6ZC30
34	009-10234	4	FITTING 3/4" X 90 DEG. BLK. STREET EL
35	009-10230	3	WEATHERHEAD #1468-10-12 5/8 X 3/4" MPT
36	009-11747	1	BRAKE LINE 5/8" X 13 1/2"
37	009-10233	1	WEATHERHEAD #3400-6 5/8 X 3/8 MPT
38	066-14672	1	BRASS FITTING 3/8" 45 DEGREE STREET EL
39	009-14671	1	BRASS FITTING 3/8" 90 DEGREE STREET EL
40	009-12977	1	MUFFLER FOR WWG 4Z231 AIR MOTOR
41	025-10548	1	DECAL - CAUTION GUARDS REMOVED
42	025-13287	1	DECAL - ATTENTION LUBRICATOR
43		1	DECAL - AF124i CSV
44	025-10548	1	DECAL - EXHAUST ARROW
45			
46			
47			
48			
49			
50			
51			
52			
53			



## 8. Exploded View



---

## 9. Warranty

### Limited Warranty Five Years

Super Vacuum Manufacturing Company Inc. warrants that the equipment is free from defects in materials and workmanship when used and operated for a period of five years. The responsibility of Super Vacuum Manufacturing Company Inc. under this limited warranty is limited to the repair and replacement of any parts which are found defective and which are returned to Super Vacuum Manufacturing Company Inc. at 3842 Redman Drive, Fort Collins, Colorado 80524 with transportation charges prepaid (C.O.D. shipments will not be accepted).

Prior to returning defective parts to SUPER VACUUM MANUFACTURING COMPANY INC, the original purchaser shall make a claim in writing to SUPER VACUUM MANUFACTURING COMPANY INC at the above address indicating the model number and type of defect. No parts or equipment will be received by SUPER VACUUM MANUFACTURING COMPANY INC for repair or replacement under this warranty without specific written authority from it in advance.

Any parts damaged by improper installation, overloading, abuse or accident of any type or cause are not covered by this warranty.

All equipment manufactured by us is pre-run and tested before leaving our plant, and is shipped in good working order and condition. We therefore extend to the original purchasers the following Limited Warranty for the period of five years from the original date of purchase:

1. This warranty does not apply to defects caused by accident, misuse, neglect, or wear and tear, nor can we be held responsible for incidental and consequential expense and loss, nor does this warranty apply to equipment where alterations have been executed without our knowledge or consent. These conditions are readily discernable when the equipment is returned to us for inspection.
2. On all component parts not manufactured by SUPER VACUUM MANUFACTURING COMPANY INC, their warranty is to the extent that the manufacturer of such component warrants them to SUPER VACUUM MANUFACTURING COMPANY INC, if at all. Look in your local business phone directory for the nearest repair station for the brand of parts you have or write to us for the address.
3. If equipment received is found to have been damaged in transit, a claim should be made against the carrier within three days, as we assume no responsibility for such damage.
4. Any service other than our Authorized Service voids this warranty.
5. This warranty is in lieu of and is intended to exclude all other warranties, express or implied, oral or written, including any warranties of MERCHANTIBILITY or FITNESS for a particular purpose.

---

## 10. Contact Information

**For parts or service information, contact:**

Super Vacuum Manufacturing Company, Inc.  
3842 Redman Drive  
Fort Collins CO 80524

Phone: 1-800-525-5224  
970-297-7100  
FAX: 970-297-7099  
Internet: [www.supervac.com](http://www.supervac.com)



# ***SUPER VAC***

## ***THE VENTILATION SPECIALISTS***