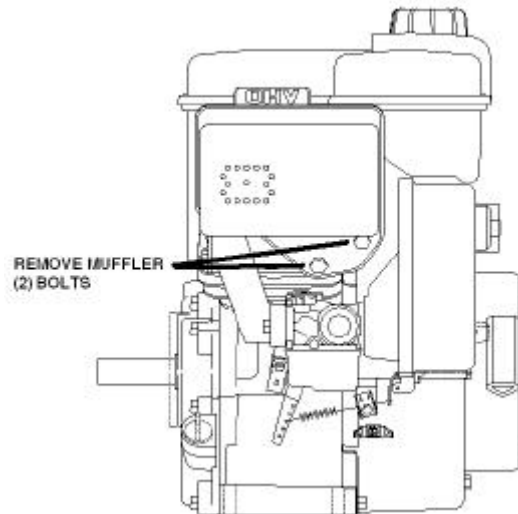
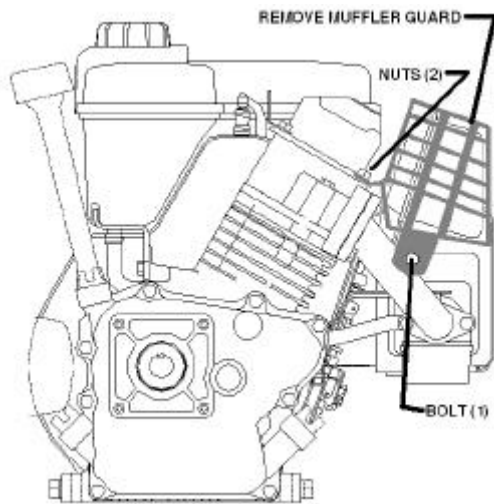


Exhaust Extension Installation for Tecumseh 5.5 HP Engines

Tools required:

- 3/8" combination wrench
- 7/16" 12 point socket, 3/8" drive
- 3" extension, 3/8" drive
- 6" extension, 3/8" drive
- 3/8" drive ratchet handle
- tin snips

1. Remove exhaust muffler guard (3) fasteners, using 3/8" combination wrench on bolt, and 7/16" socket with 3" extension and ratchet handle for the (2) nuts.



2. Remove (2) muffler retaining bolts using the 3/8" drive ratchet handle, 6" extension and 7/16" socket.
3. Install replacement muffler using original bolts.
4. Trim exhaust guard with tin snips to provide for clearance of the exhaust extension.
5. Re-install exhaust guards using original fasteners.

