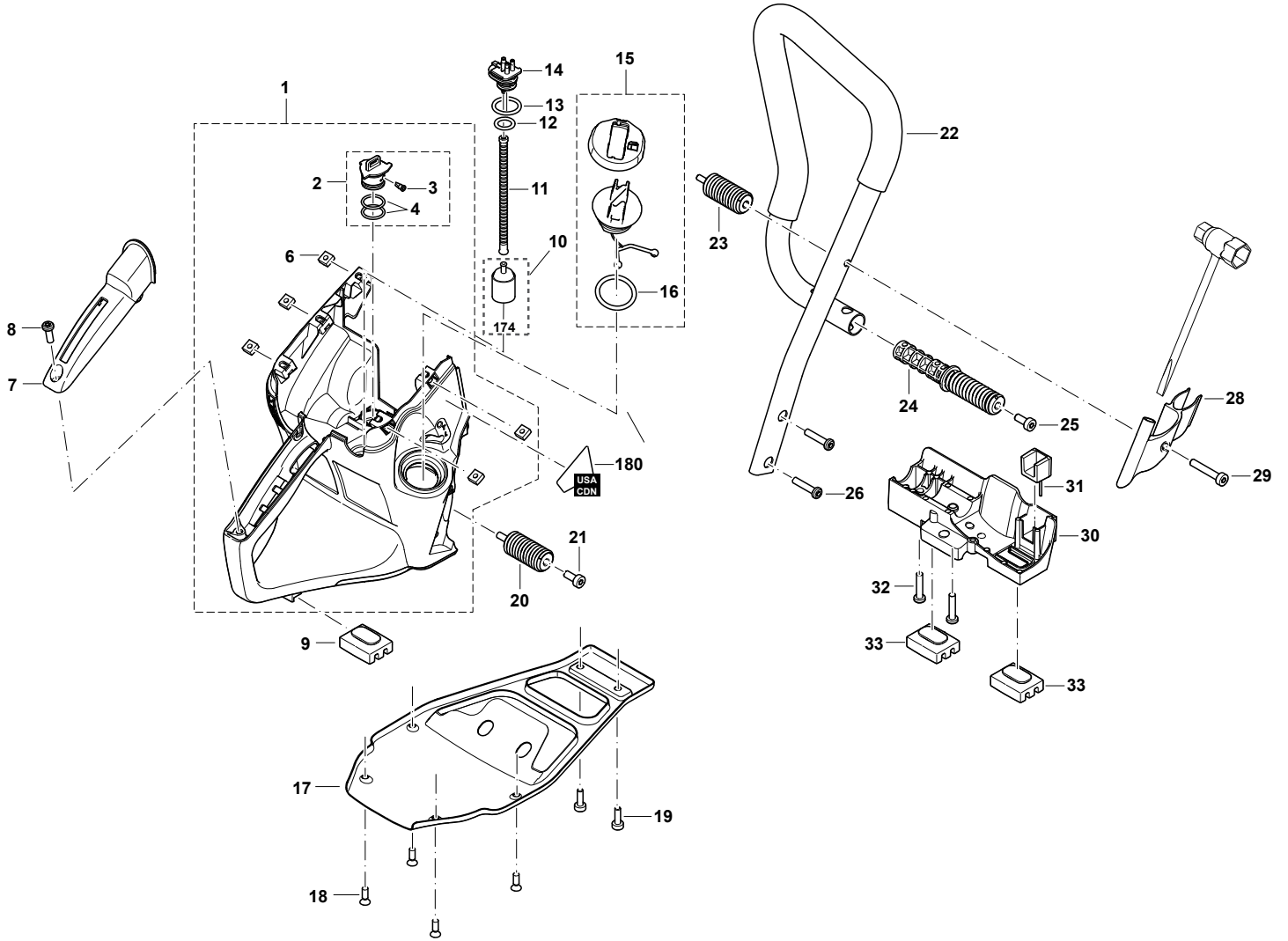


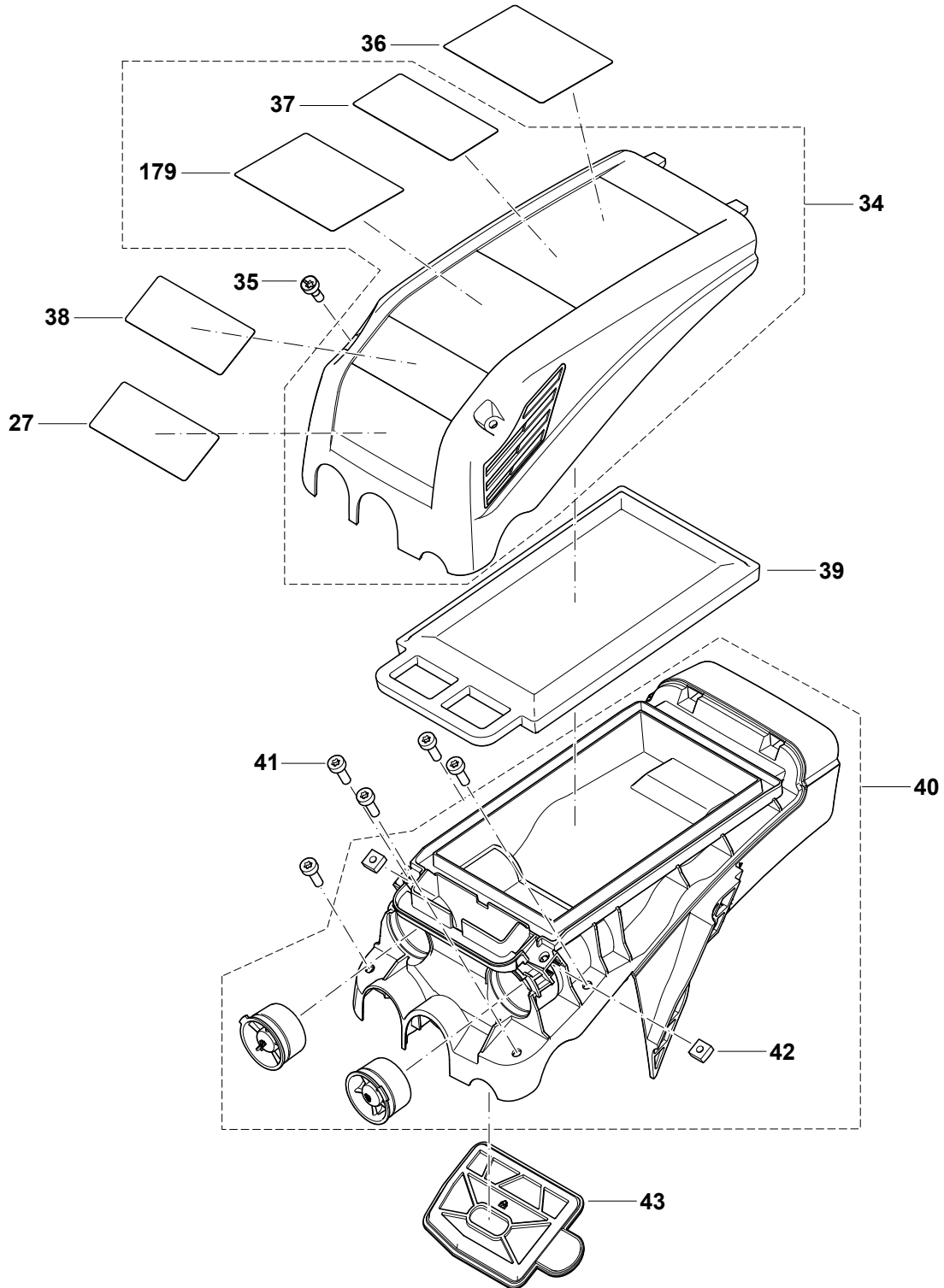


PARTS BREAKDOWN
EK6101
PC-6114



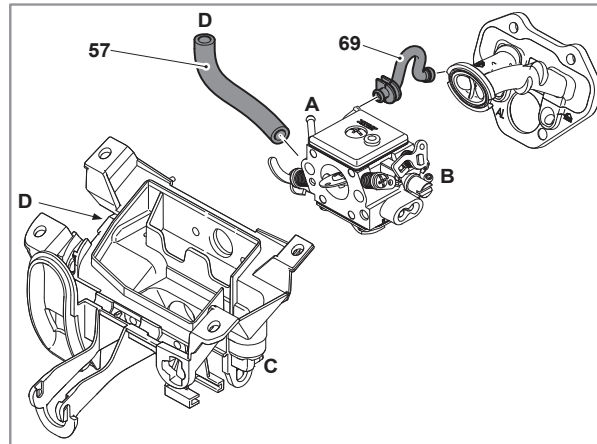
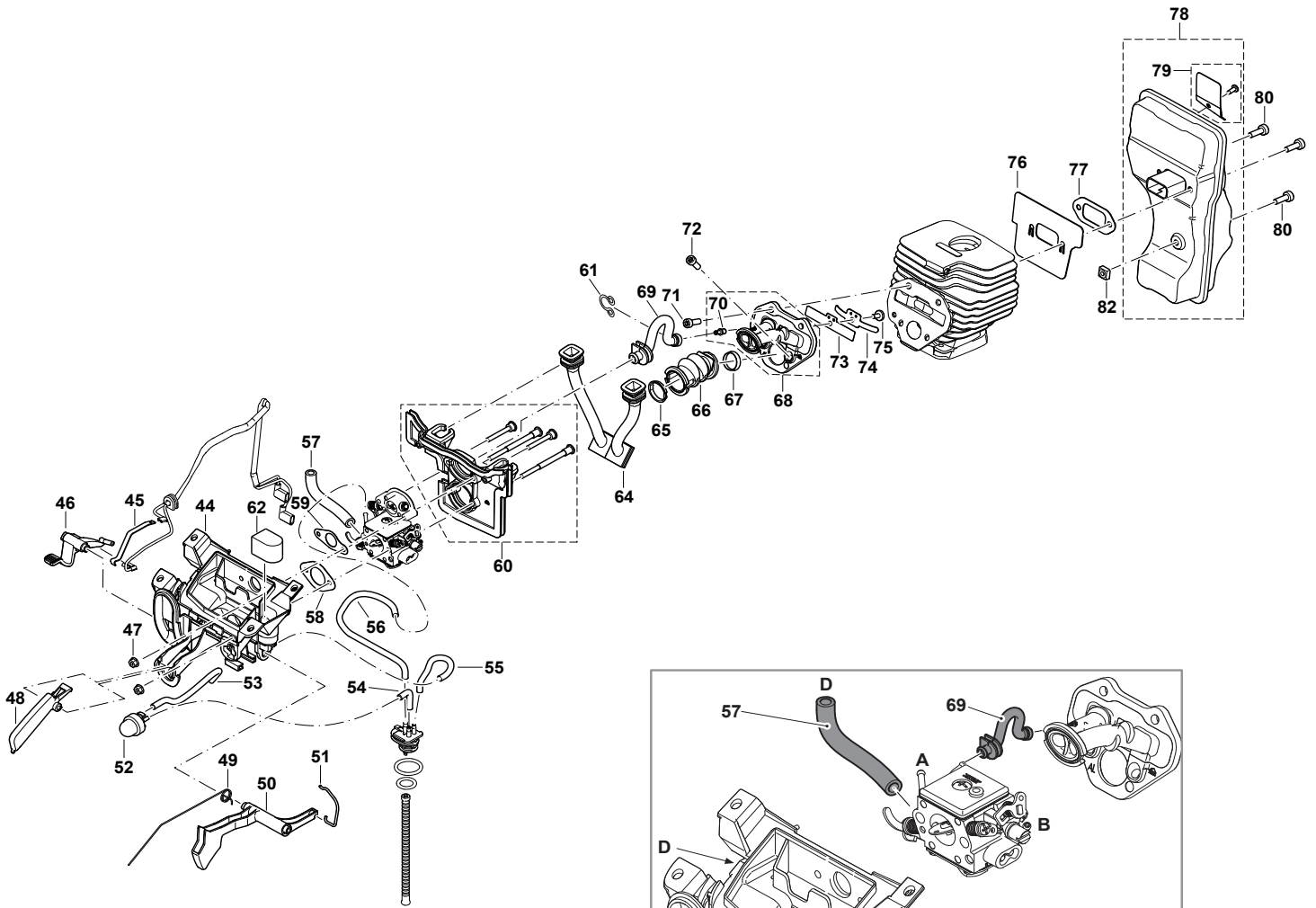
Products with multiple versions are listed in subsiding order with the newest version on top not indented.

Section	Fig. No.	Part No.	Description	EK6101	PC-6114	Tech Bulletin	Notes
1	1	315-114-640	FUEL TANK CPL. BLUE	1			MAKITA
1	1	315-114-601	FUEL TANK CPL. BLUE	1			MAKITA
1	1	315-114-190	FUEL TANK CPL. RED		1		DOLMAR
1	2	315-175-061	VALVE COVER CPL.	1	1		
1	3	010-175-021	VALVE	1	1		
1	4	963-217-020	O-RING	2	2		17X2 FKM
1	6	038-111-060	SQUARE NUT	5	5		M5, SW10
1	7	315-117-050	GRIP OUTER SHELL	1	1		
1	8	913-455-164	SCREW	1	1		5,5X16
1	9	315-114-060	RUBBER FOOT	1	1		
1	10	010-114-010	SUCTION HEAD	1	1		
1	11	315-114-140	FUEL LINE	1	1		
1	12	963-213-030	O-RING	1	1		13X3
1	13	963-221-030	O-RING	1	1		21X3
1	14	315-114-150	NIPPLE	1	1		
1	15	315-114-350	TANK CAP ASSEMBLY	1	1		
1	16	963-229-036	PACKING RING	1	1		29,3X3,6
1	17	315-114-110	BASE SHIELD	1	1		
1	18	913-850-155	SCREW	4	4		5X15
1	19	908-005-125	SCREW	2	2		M5X12
1	20	315-114-220	DAMPING SPRING, CPL.	2	2		
1	21	908-006-145	SCREW	2	2		M6X14
1	22	315-310-110	TUBULAR HANDLE ASSY.	1	1		
1	23	315-114-200	DAMPING SPRING, CPL.	1	1		
1	24	315-114-300	DAMPING SPRING, CPL.	1	1		
1	25	908-006-145	SCREW	1	1		M6X14
1	26	913-455-204	SCREW	2	2		5,5X20
1	28	315-310-020	CLAMP HANDLE	1	1		
1	29	908-006-355	SCREW	1	1		M6X35
1	30	315-114-121	STAND SUPPORT	1	1		
1	31	315-114-090	DAMPER	1	1		
1	32	913-455-204	SCREW	2	2		5,5X20
1	33	315-114-060	RUBBER FOOT	2	2		
1	174	963-601-240	FELT	1	1		

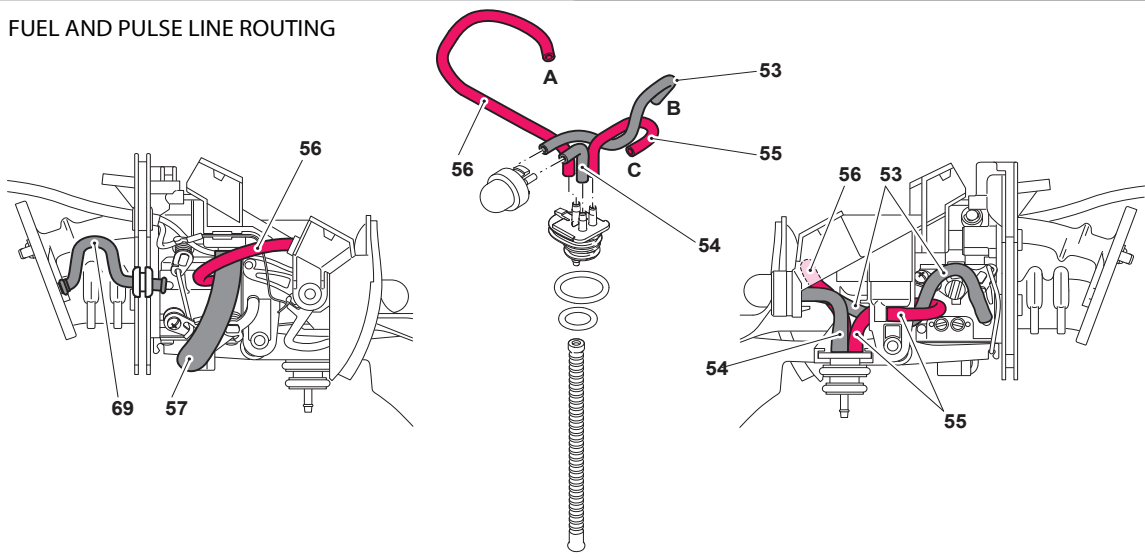


Products with multiple versions are listed in subsiding order with the newest version on top not indented.

Section	Fig. No.	Part No.	Description	EK6101	PC-6114	Tech Bulletin	Notes
2	27	980-115-898	LABEL	1	1		
2	27	980-115-809	LABEL	1	1		US WARNING SPARKS
2	34	315-118-050	FILTER COVER ASSY.	1	1		
2	35	908-605-145	SCREW	2	2		M5X14
2	36	980-115-644	LABEL, SAFETY INSTRUCTIONS	1	1		USA
2	37	980-115-645	LABEL, WARNING SYMBOLS	1	1		
2	38	980-114-999	LABEL	1	1		2-TAKT MIX
2	39	315-173-010	AIR FILTER INSERT	1	1		
2	40	315-118-640	HOOD CPL.	1			MAKITA
2	40	315-118-040	HOOD CPL.		1		DOLMAR
2	41	908-005-165	H.L. SOCKET HEAD BOLT	5	5		M5X16
2	42	038-111-060	SQUARE NUT	2	2		M5, SW10
2	43	315-173-020	INNER FILTER	1	1		
2	179	980-115-855	LABEL, START PROCEDURE	1	1		



FUEL AND PULSE LINE ROUTING

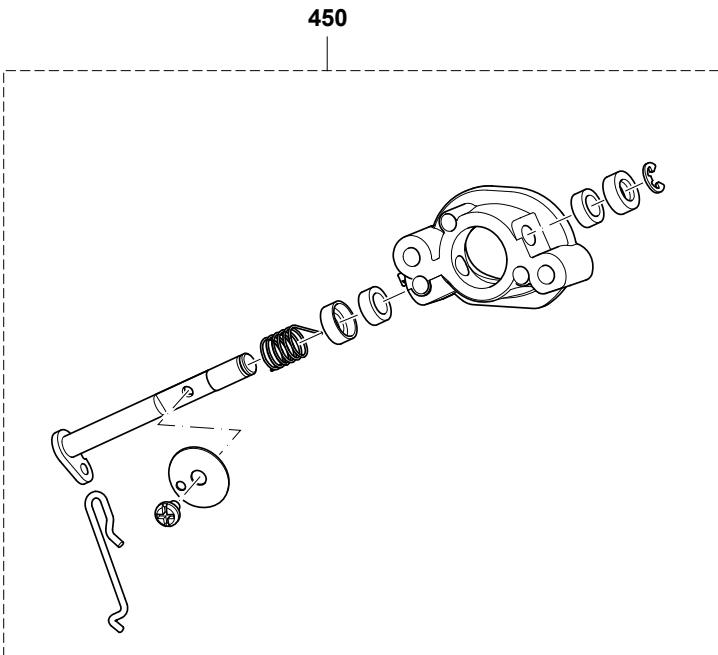
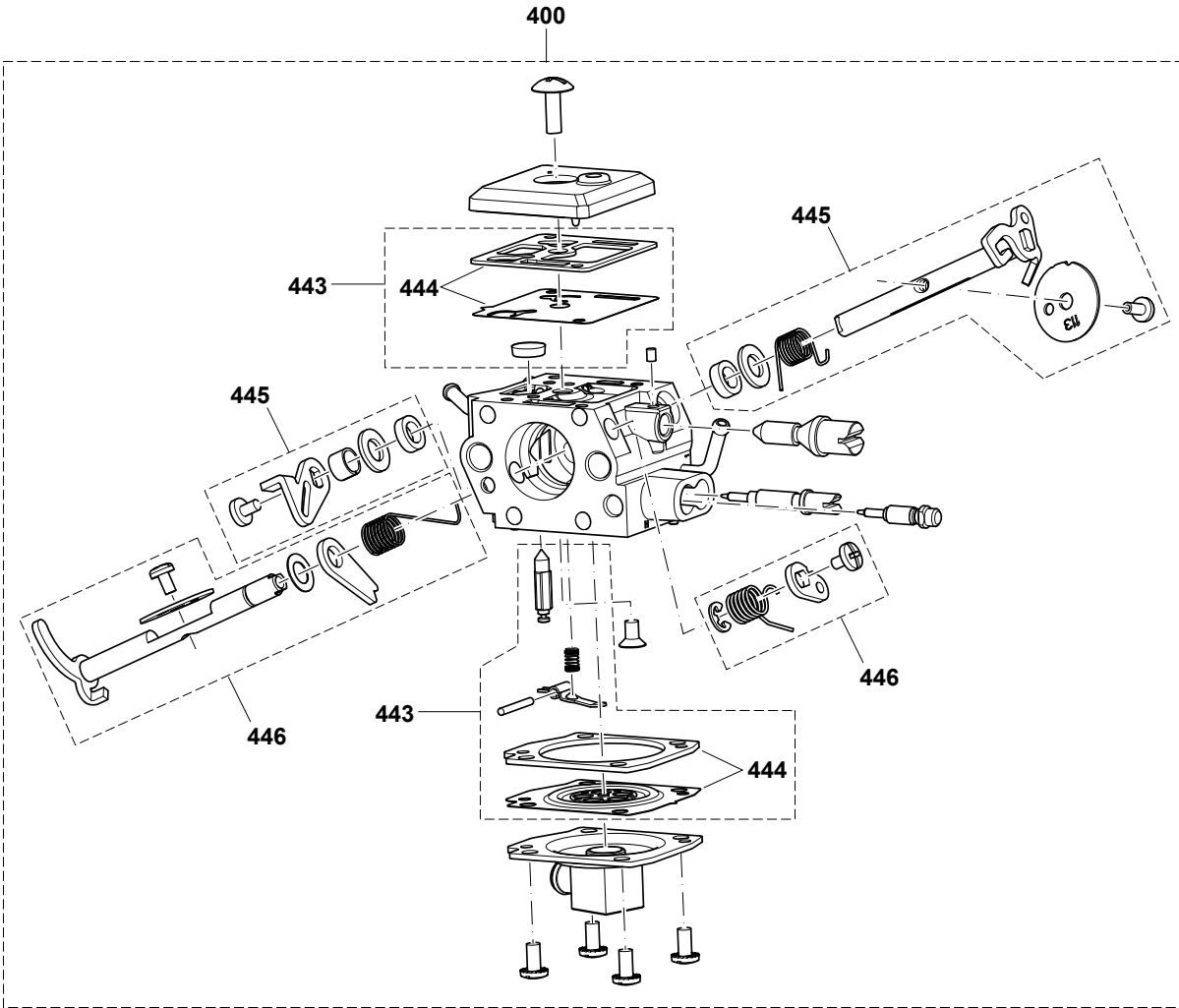


Products with multiple versions are listed in subsiding order with the newest version on top not indented.

Section	Fig. No.	Part No.	Description	EK6101	PC-6114	Tech Bulletin	Notes
3	44	315-171-010	INTAKE MANIFOLD	1	1		
3	45	315-146-010	CONTACT SPRING	1	1		
3	46	315-146-021	CHOKE LEVER	1	1		
3	46	315-146-020	CHOKE LEVER	1	1		
3	47	175-131-300	HEXAGONAL NUT WITH COLLAR	4	4		
3	48	315-117-011	CATCH LEVER	1	1		
3	49	315-117-030	SPRING	1	1		
3	50	315-117-020	THROTTLE LEVER	1	1		
3	51	315-117-040	THROTTLE LINKAGE	1	1		
3	52	010-155-011	PRIMER	1	1		PRIMER
3	53	965-452-090	TUBE	1	1		2,5/5,5MM X1M L=122MM
3	54	965-452-090	TUBE	1	1		2,5/5,5MM X1M L=40MM
3	55	965-452-090	TUBE	1	1		2,5/5,5MM X1M L=84MM
3	56	965-452-660	TUBE	1	1		5,6/3MMX1M EPA CODE, RED L=200MM
3	57	965-452-401	TUBE	1	1		10X6 L=82MM
3	58	315-155-020	GASKET INTAKE MANIFOLD	1	1		
3	59	315-155-010	GASKET AIR VALVE	1	1		
3	60	315-114-080	INTERMEDIATE WALL CPL.	1	1		
3	61	315-131-130	CLIP	1	1		
3	62	315-173-050	FOAM-INSERT	1	1		
3	64	315-173-040	SUCTION PIPE	2	2		
3	65	024-131-032	INSERT FOR SUCTION HOSE	1	1		
3	66	315-131-030	SUCTION HOSE	1	1		
3	67	181-131-021	INSERT	1	1		
3	68	315-131-100	AIR HOSE CPL.	1	1		
3	69	315-131-120	IMPULSE LINE	1	1		
3	70	001-131-040	NIPPLE	1	1		
3	71	908-405-145	SCREW	2	2		M5X14
3	72	908-405-145	SCREW	2	2		M5X14
3	73	315-179-021	LEAD VALVE	1	1		
3	74	315-179-010	VALVE STOPPER	1	1		
3	75	908-004-085	SCREW	1	1		M4X8 INNEN6RD S LK
3	76	315-174-110	COOLING PLATE	1	1		

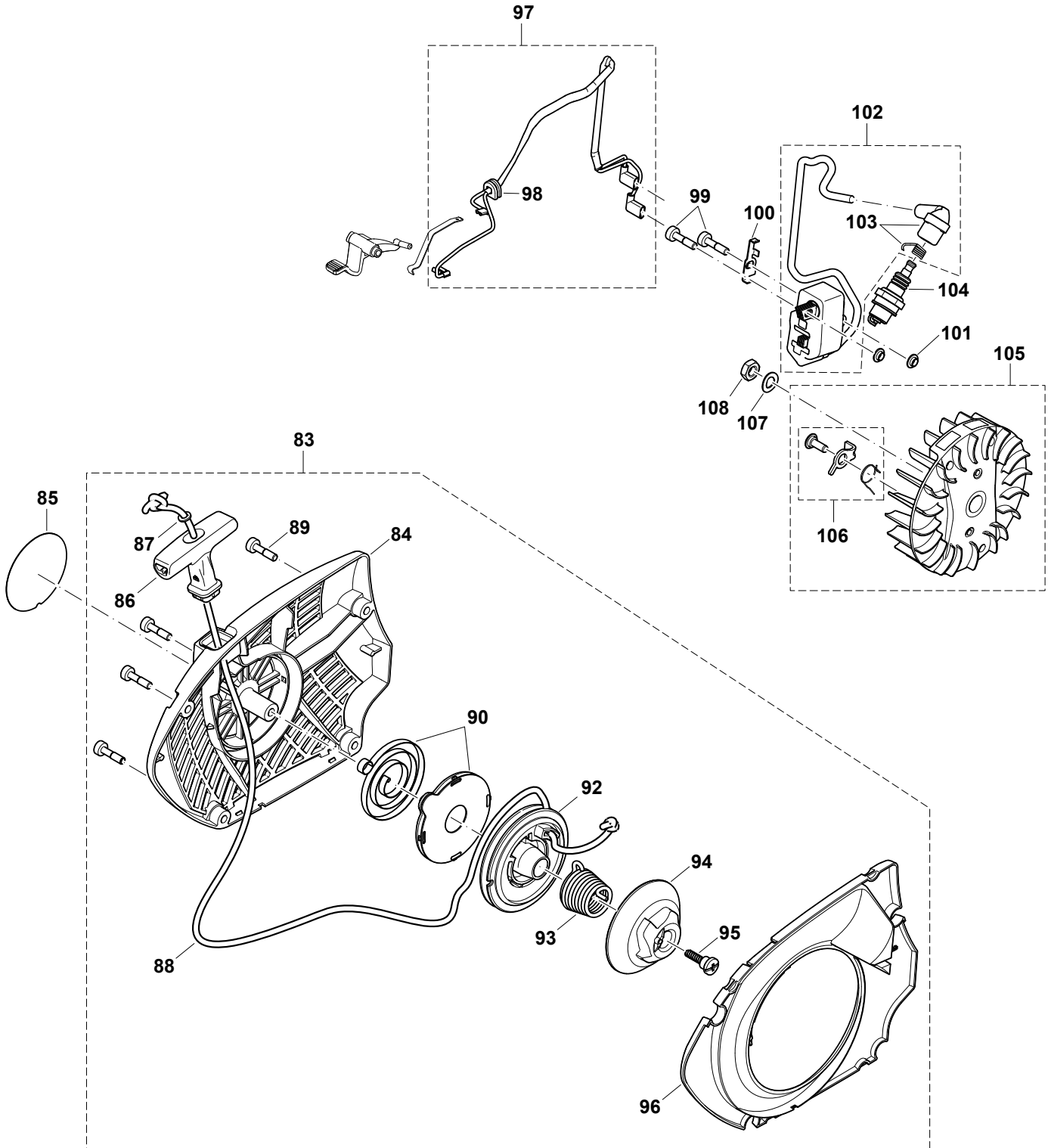
Products with multiple versions are listed in subsiding order with the newest version on top not indented.

Section	Fig. No.	Part No.	Description	EK6101	PC-6114	Tech Bulletin	Notes
3	77	395-174-120	GASKET	1	1		
3	78	315-174-100	MUFFLER CPL.	1	1		
3	79	315-174-150	SPARK ARRESTER SCREEN CPL.	1	1		
3	80	908-005-165	H.L. SOCKET HEAD BOLT	3	3		M5X16
3	82	038-111-060	SQUARE NUT	1	1		M5, SW10



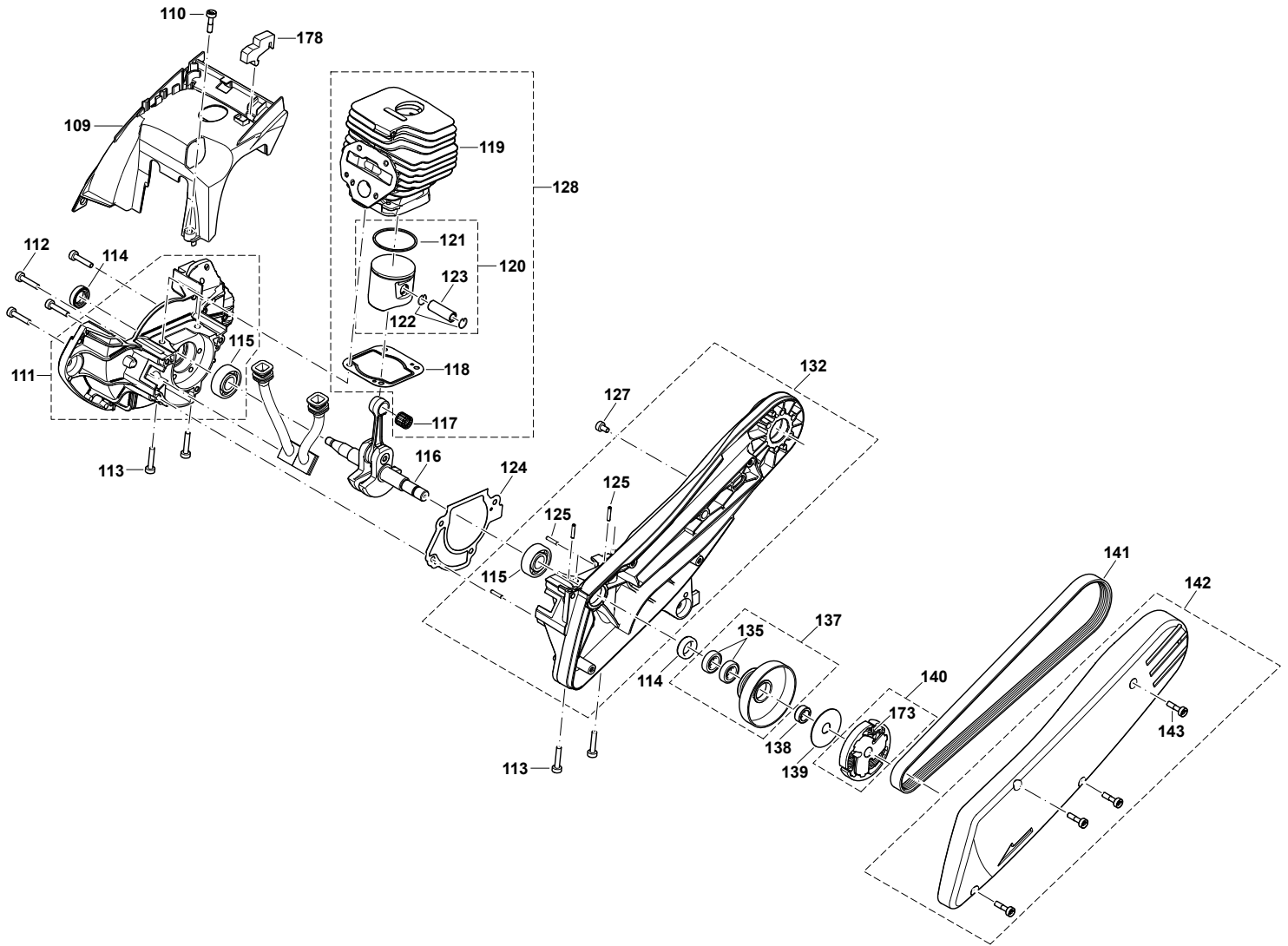
Products with multiple versions are listed in subsiding order with the newest version on top not indented.

Section	Fig. No.	Part No.	Description	EK6101	PC-6114	Tech Bulletin	Notes
4	400	315-153-102	CARBURETOR CPL.	1	1		DM21, DD - EU, USA (REGULATED MARKET)
4	443	315-153-681	REPAIR KIT	1	1		
4	443	315-153-680	REPAIR KIT	1	1		
4	444	315-153-691	GASKET & DIAPHRAGM KIT	1	1		
4	444	315-153-690	GASKET & DIAPHRAGM KIT	1	1		
4	445	315-153-631	THROTTLE KIT	1	1		
4	446	315-153-640	CHOKE KIT	1	1		
4	450	315-153-700	AIR FLAP CPL.	1	1		



Products with multiple versions are listed in subsiding order with the newest version on top not indented.

Section	Fig. No.	Part No.	Description	EK6101	PC-6114	Tech Bulletin	Notes
5	83	143454-9	STARTER ASSY. BLUE	1			
5	83	315-160-602	STARTER ASSY. BLUE	1			MAKITA
5	83	315-160-601	STARTER ASSY. BLUE	1			MAKITA
5	83	315-160-600	STARTER ASSY. BLUE	1			MAKITA
5	83	143456-5	STARTER ASSY. RED		1		DOLMAR
5	83	315-160-102	STARTER ASSY. RED		1		DOLMAR
5	83	315-160-101	STARTER ASSY. RED		1		DOLMAR
5	84	315-160-630	STARTER ASSY. BLUE	1			MAKITA
5	84	315-160-030	STARTER ASSY. RED		1		DOLMAR
5	85	980-115-514	LABEL	1			MAKITA
5	85	980-115-742	LABEL		1		DOLMAR
5	86	181-164-010	STARTER KNOB	1	1		
5	87	928-405-000	DISC	1	1		
5	88	394-164-020	STARTER ROPE BLACK	1	1		Ø4 X 1000MM
5	89	908-605-205	SCREW	4	4		M5X20
5	90	181-163-050	REWIND SPRING IN HOUSING	1	1		
5	92	315-162-020	CABLE DRUM	1	1		
5	93	181-163-080	SPRING EASY-START	1	1		
5	94	315-163-090	STARTER WHEEL	1	1		
5	95	181-163-095	SCREW	1	1		
5	96	315-160-020	AIR GUIDE PLATE	1	1		
5	97	315-147-010	SHORT-CIRCUIT CABLE	1	1		
5	98	965-401-016	RUBBER BUSH	1	1		
5	99	908-805-205	SCREW	2	2		M5X20
5	100	315-143-110	EARTH SHEET	1	1		
5	101	195-143-031	ISOLATING WASHER	2	2		
5	102	315-143-100	IGNITION COIL, CPL.	1	1		
5	103	957-604-260	SPARK PLUG CAP CPL.	1	1		
5	104	965-603-021	SPARK PLUG	1	1		
5	105	315-141-100	FLYWHEEL ASSY.	1	1		
5	106	315-166-020	STARTER RATCHET CPL.	2	2		
5	107	267822-3	SPRING WASHER	1	1		B8
5	108	920-308-024	HEXAGONAL NUT	1	1		M8X1

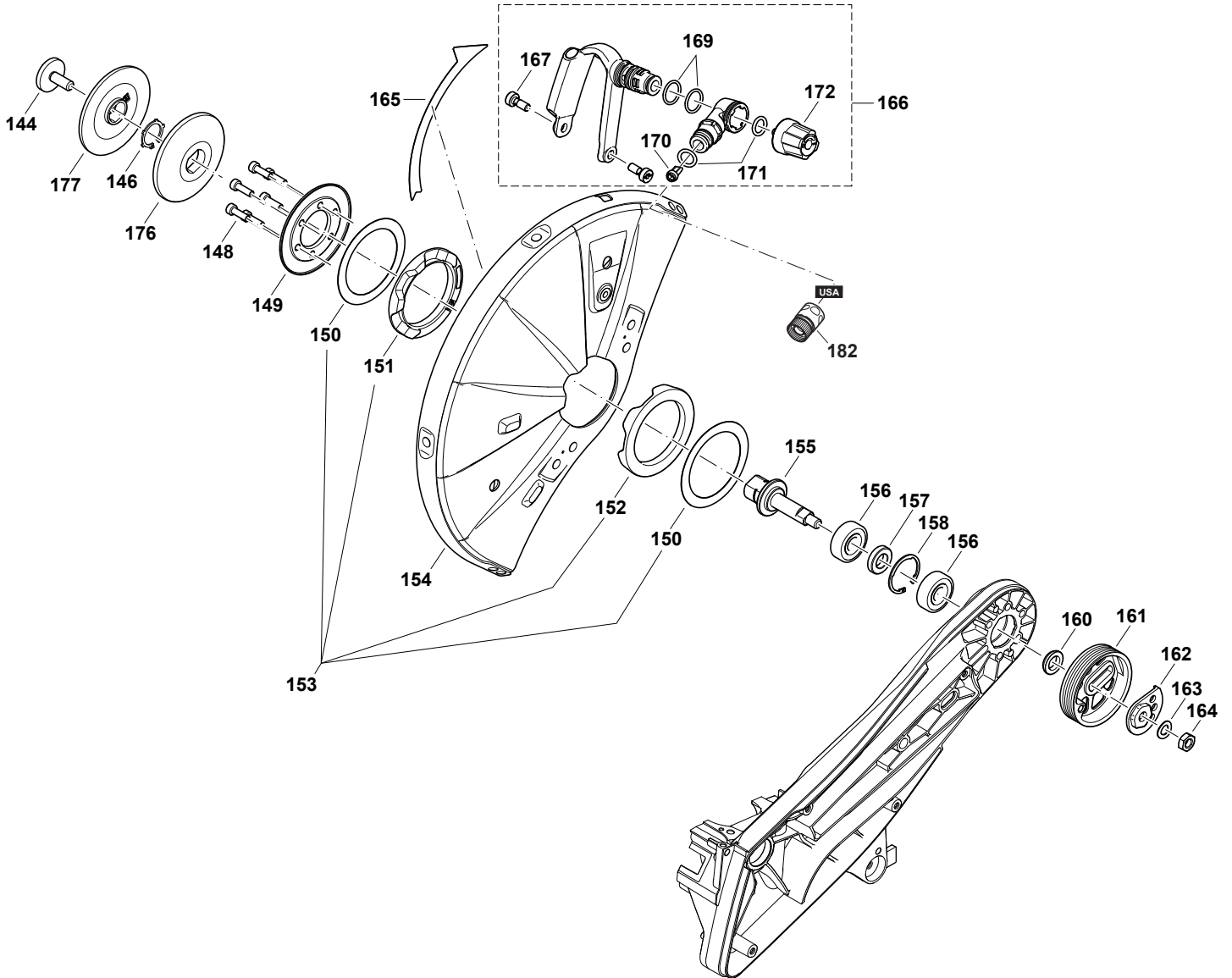


Products with multiple versions are listed in subsiding order with the newest version on top not indented.

Section	Fig. No.	Part No.	Description	EK6101	PC-6114	Tech Bulletin	Notes
6	109	315-131-110	COOLING HOOD	1	1		
6	110	908-605-205	SCREW	1	1		M5X20
6	111	315-111-110	CRANKCASE MAGN. SIDE ASSY.	1	1		
6	112	908-005-255	PAN HEAD ALLEN SCREW	4	4		M5X25
6	113	908-005-255	PAN HEAD ALLEN SCREW	4	4		M5X25
6	114	962-900-052	RADIAL RING	2	2		Ø15/24X7
6	115	960-102-152	BALL BEARING (USE GLUE)	2	2		6202
6	115	960-102-159	BALL BEARING (USE GLUE)	2	2		6202
6	116	315-120-011	CRANKSHAFT ASS'Y	1	1		
6	117	962-210-111	NEEDLE CAGE	1	1		
6	118	315-131-020	GASKET	1	1		
6	119	315-131-011	CYLINDER	1	1		
6	119	315-131-010	CYLINDER	1	1		D47
6	120	315-132-101	PISTON CPL.	1	1		D47
6	121	315-132-020	PISTON RING	1	1		D47
6	122	315-132-040	CIRCLIP	2	2		11
6	123	315-132-050	PISTON PIN	1	1		
6	124	315-111-030	CRANK CASE GASKET	1	1		
6	125	936-430-160	CLAMPING PIN	4	4		3X16
6	127	908-005-095	SCREW	1	1		M5X9
6	128	957-130-315	CYLINDER / PISTON CPL.	1	1		D47
6	132	143449-2	CRANKCASE CL. SIDE ASSY.	1	1		
6	132	315-111-231	CRANKCASE CL. SIDE ASSY.	1	1		
6	132	315-111-230	CRANKCASE CL. SIDE ASSY.	1	1		350 (14")
6	135	960-124-126	BALL BEARING	2	2		6901
6	137	315-223-020	CLUTCH DRUM CPL.	1	1		
6	138	315-183-010	SPACER	1	1		
6	139	001-182-042	DISC	1	1		44,5X1X12
6	140	181-180-200	CLUTCH ASSY.	1	1		
6	141	965-300-510	V-BELT	1	1		6PJ812 (14")
6	142	315-211-651	BELT COVER ASS'Y	1			MAKITA (14")
6	142	315-211-201	BELT COVER ASS'Y		1		DOLMAR (14")
6	142	315-211-200	BELT COVER ASS'Y		1		DOLMAR (14")

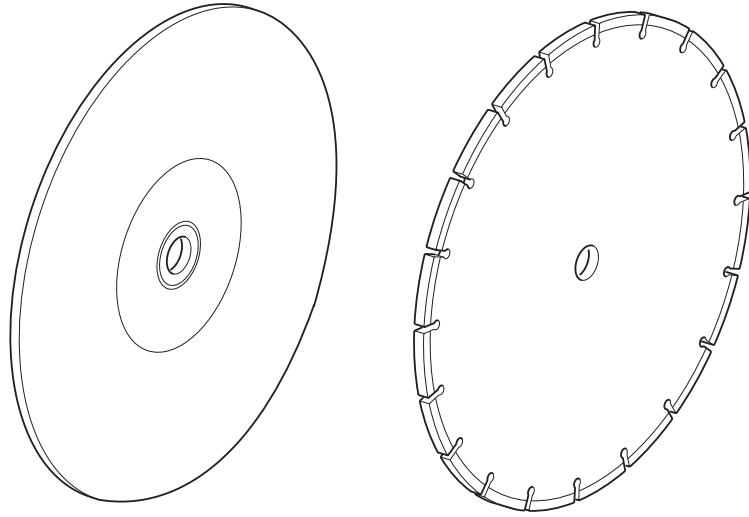
Products with multiple versions are listed in subsiding order with the newest version on top not indented.

Section	Fig. No.	Part No.	Description	EK6101	PC-6114	Tech Bulletin	Notes
6	143	315-211-060	SCREW	4	4		M5X20
6	173	181-184-010	SPRING	3	3		
6	178	315-114-180	STOPPER	1	1		

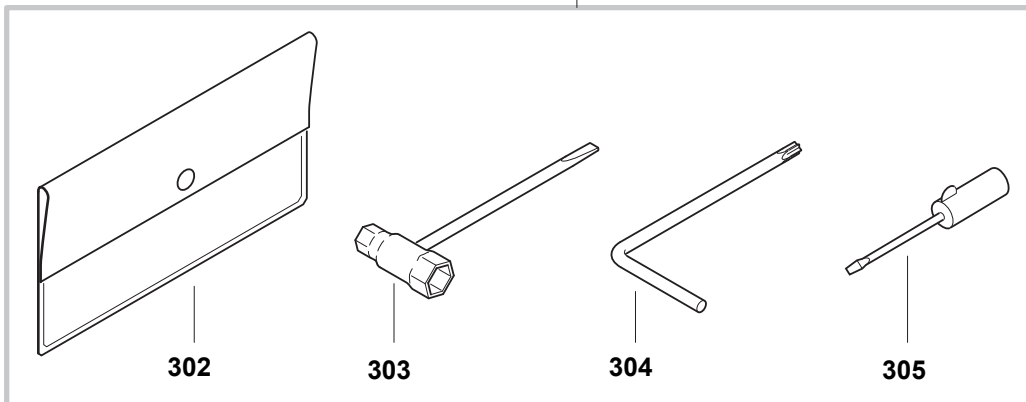


Products with multiple versions are listed in subsiding order with the newest version on top not indented.

Section	Fig. No.	Part No.	Description	EK6101	PC-6114	Tech Bulletin	Notes
7	144	994-290-250	HEXAGON HEAD BOLT	1	1		M8X25
7	146	929-420-120	RETAINING RING	1	1		20X1,2
7	148	908-405-145	SCREW	6	6		M5X14
7	149	315-342-010	PRESSURE RING	1	1		
7	150	315-342-030	SLIDING DISC	2	2		
7	151	315-342-050	RUBBER RING INT.	1	1		
7	152	315-342-040	RUBBER RING EXT.	1	1		
7	153	957-342-030	PROT. HOOD MOUNTING, CPL.	1	1		
7	154	315-341-200	PROTECTION HOOD ASSY.	1	1		350CM/14"
7	155	315-228-031	AXLE	1	1		
7	155	315-228-030	AXLE	1	1		20,0
7	156	960-102-126	BALL BEARING	2	2		6201 LLU
7	157	315-228-021	SPACER	1	1		
7	158	929-232-120	RETAINING RING	1	1		32X1,2
7	160	315-221-041	WASHER	1	1		
7	161	315-221-120	BELT PULLEY	1	1		14"
7	162	315-221-030	ECCENTRIC	1	1		
7	163	267822-3	SPRING WASHER	1	1		B8
7	163	926-208-001	SPRING WASHER	1	1		B8
7	164	920-308-024	HEXAGONAL NUT	1	1		M8X1
7	165	980-115-770	CAUTION LABEL	1	1		350/20/80
7	166	957-341-040	WATER ATTACHMENT KIT	1	1		
7	167	315-341-140	JET SCREW	2	2		
7	169	963-216-020	O-RING	2	2		16X2
7	170	315-341-150	WATER SUCTION FILTER	1	1		
7	171	963-211-025	O-RING	2	2		11X2,5
7	172	315-341-130	REGULATING SCREW	1	1		
7	176	315-228-110	PRESSURE DISC	1	1		20,0 (350CM/14")
7	177	315-228-110	PRESSURE DISC	1	1		20,0 (350CM/14")
7	177	315-228-120	PRESSURE DISC	1	1		25,4 (350CM/14")
7	182	123120-4	COUPLING SLEEVE	1	1		



300



Products with multiple versions are listed in subsiding order with the newest version on top not indented.

Section	Fig. No.	Part No.	Description	EK6101	PC-6114	Tech Bulletin	Notes
8	300	957-004-002	TOOL CPL.	1	1		
8	302	950-004-002	PLASTIK BAG	1	1		
8	303	941-719-133	UNIVERSAL WRENCH	1	1		SW 13/19 MM
8	304	940-827-000	ANGLED SCREW DRIVER	1	1		T27
8	305	944-340-001	SCREWDRIVER	1	1		